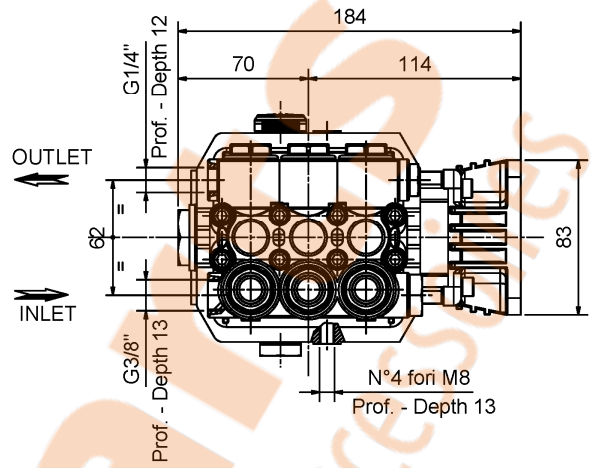
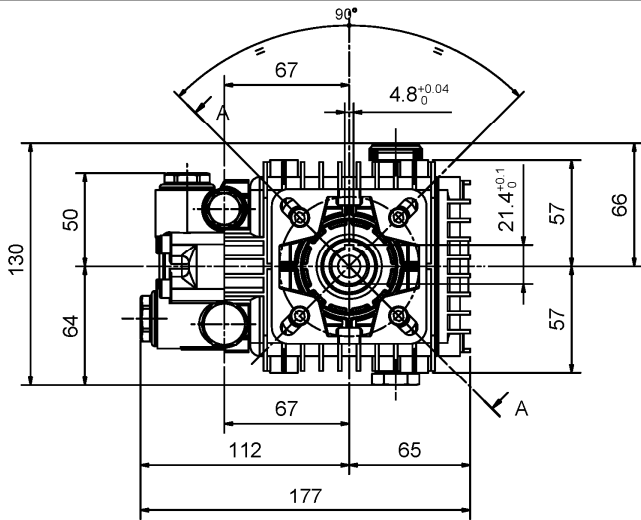
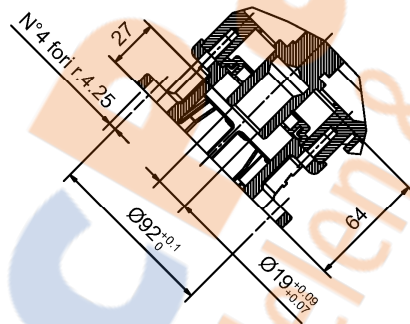
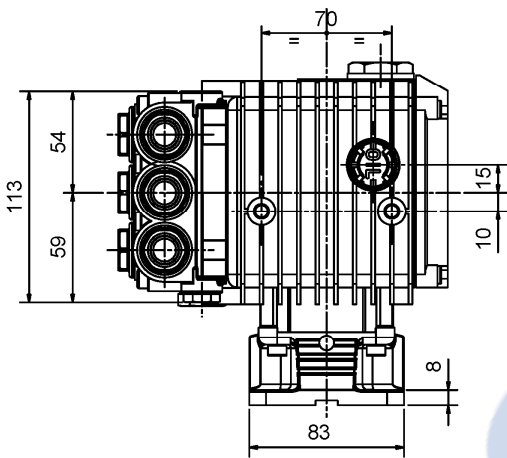


**DIMENSIONI D'INGOMBRO – OVERALL DIMENSIONS – DIMENSIONS D'ENCOMBREMENT  
RAUMBEDARF – DIMENSIONES TOTALES – DIMENSÕES**

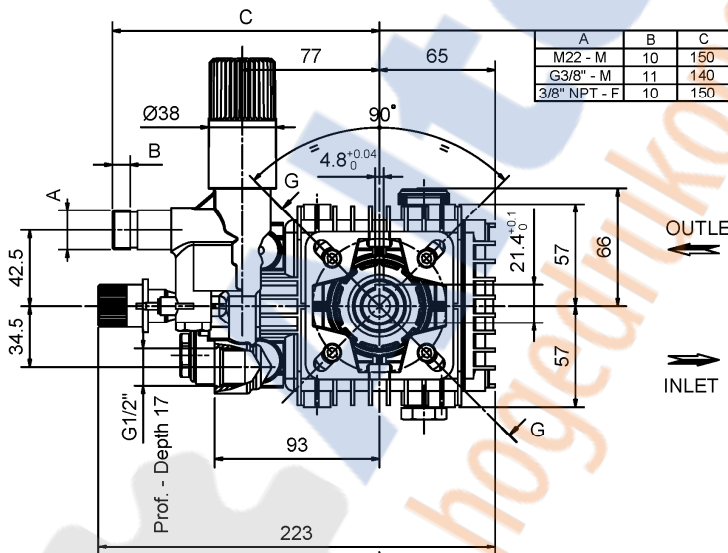


Sez. A-A



**WW906 – TT9061  
TT1508  
TT1510  
WW907 – TT9071  
TT1511  
TT1512  
WW909 – TT9091  
TT1513**

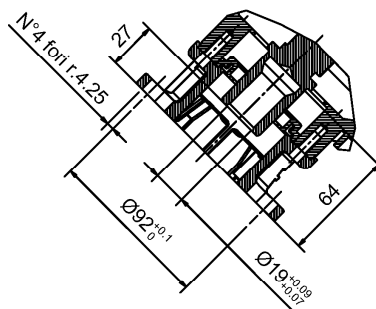
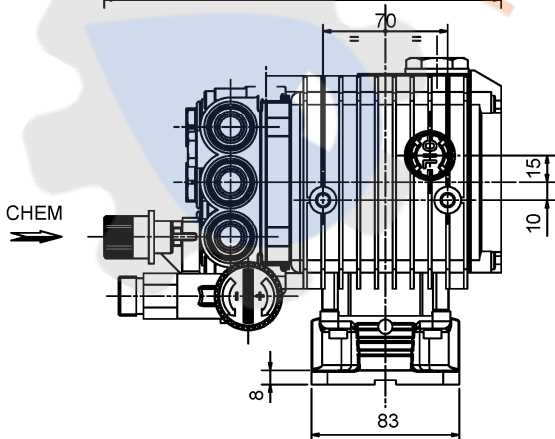
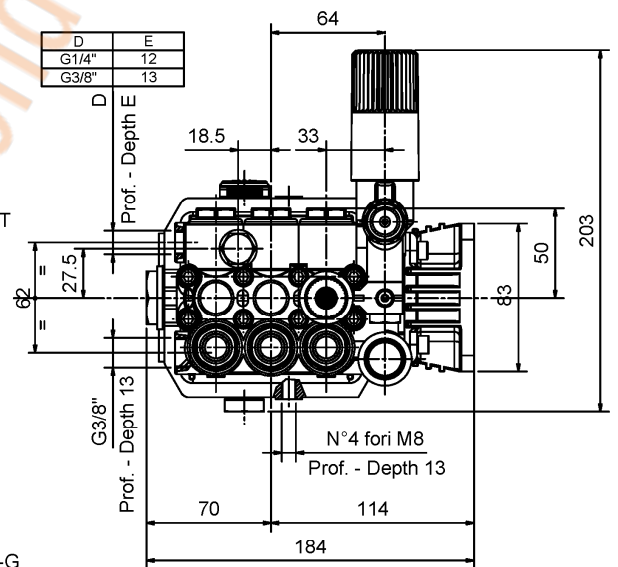
**COD. DIS. 51.2148.00**



OUTLET

INLET

Sez. G-G



**COD. DIS. 51.2155.00**

**VH VALVE**